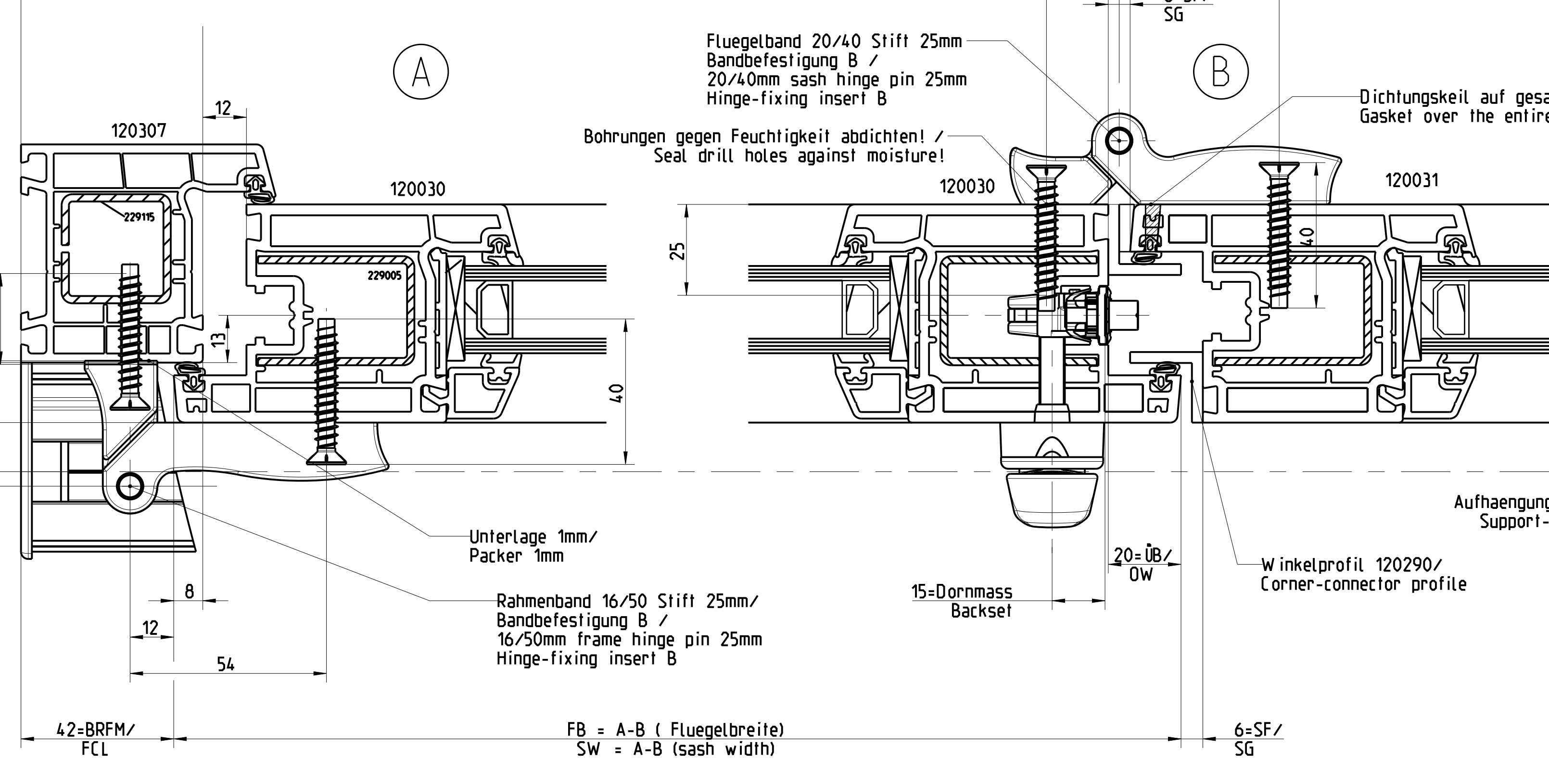
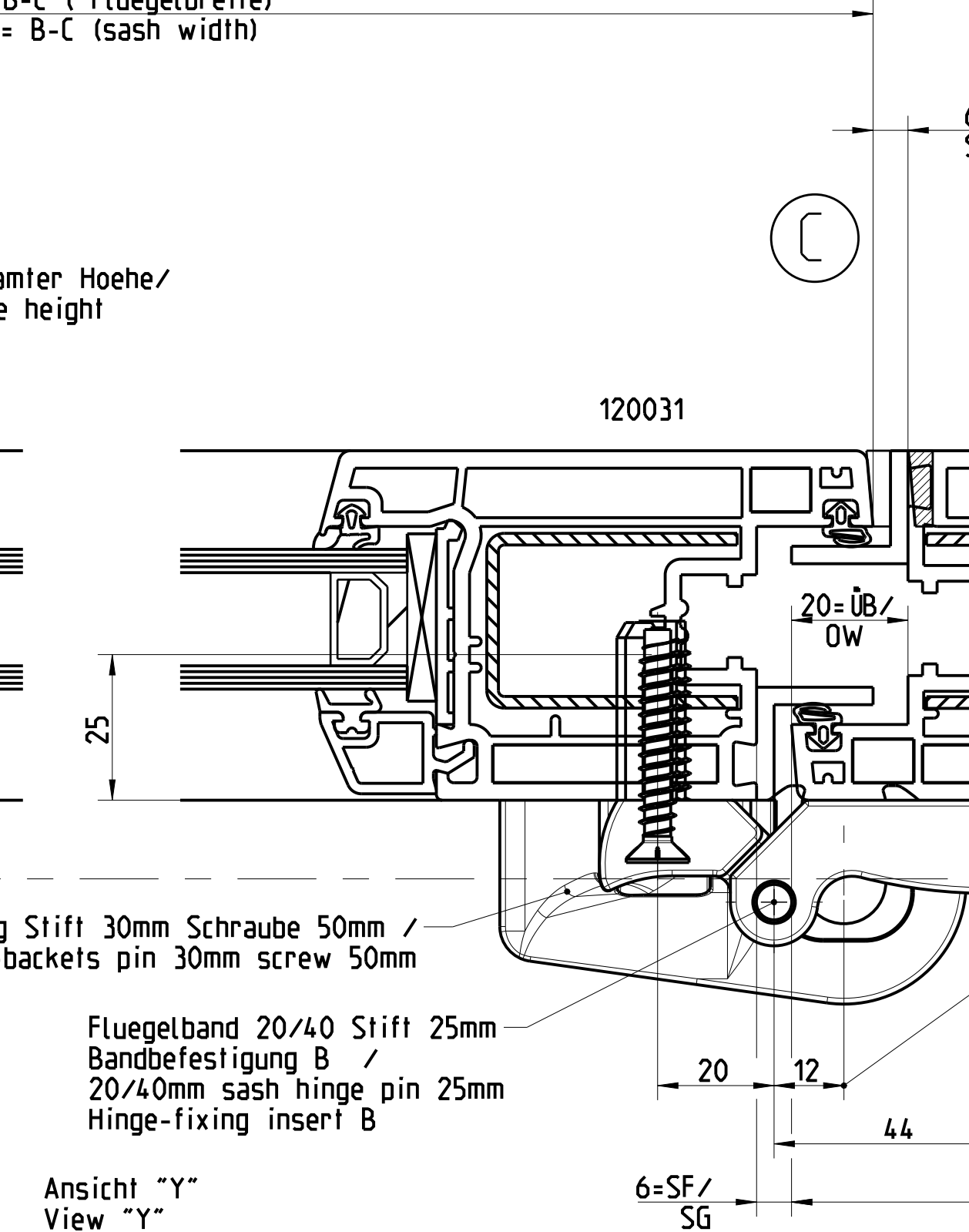
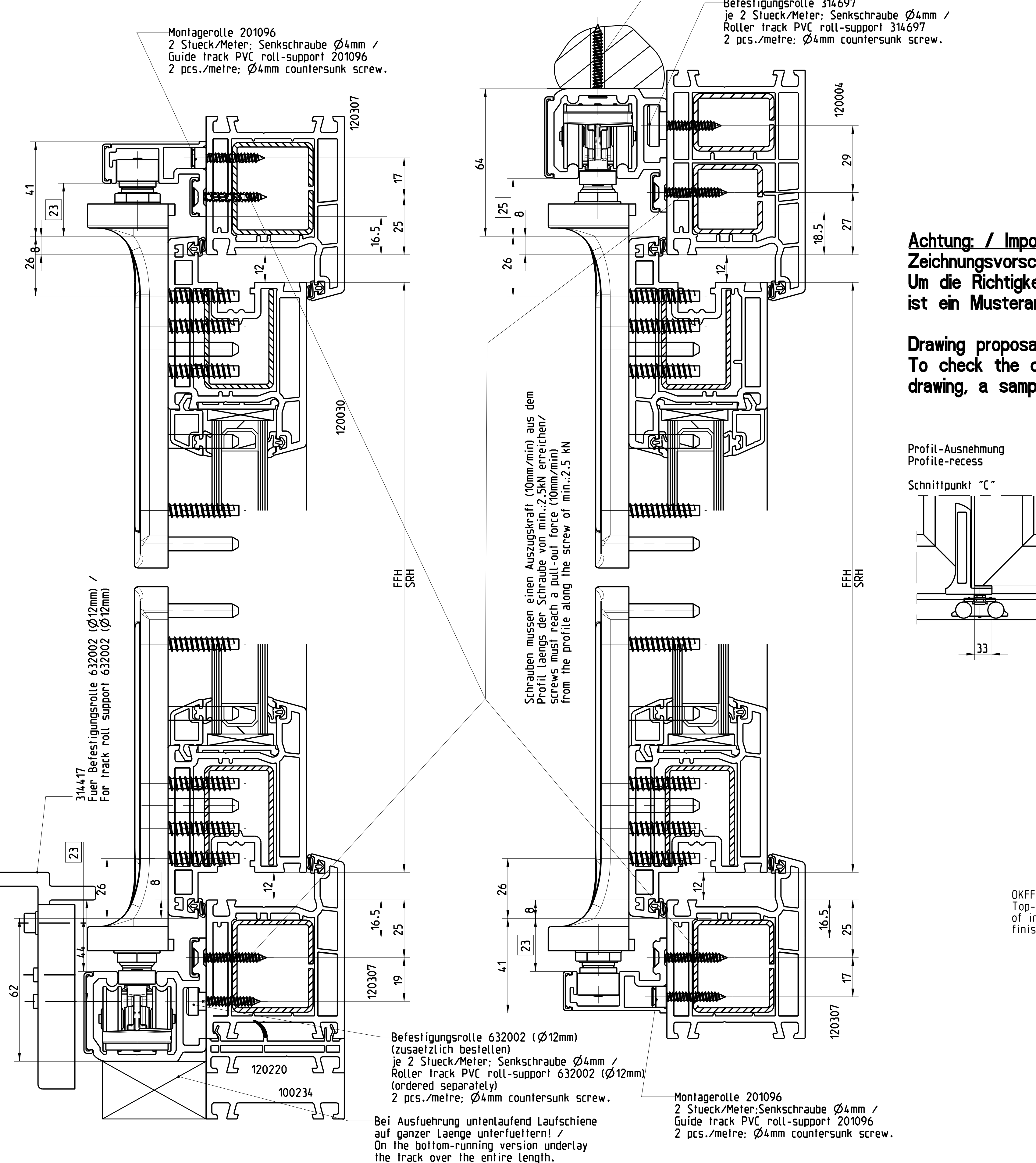


Schema 431. Ansicht mit Laufschiene /
Diagram 431. View with roller track

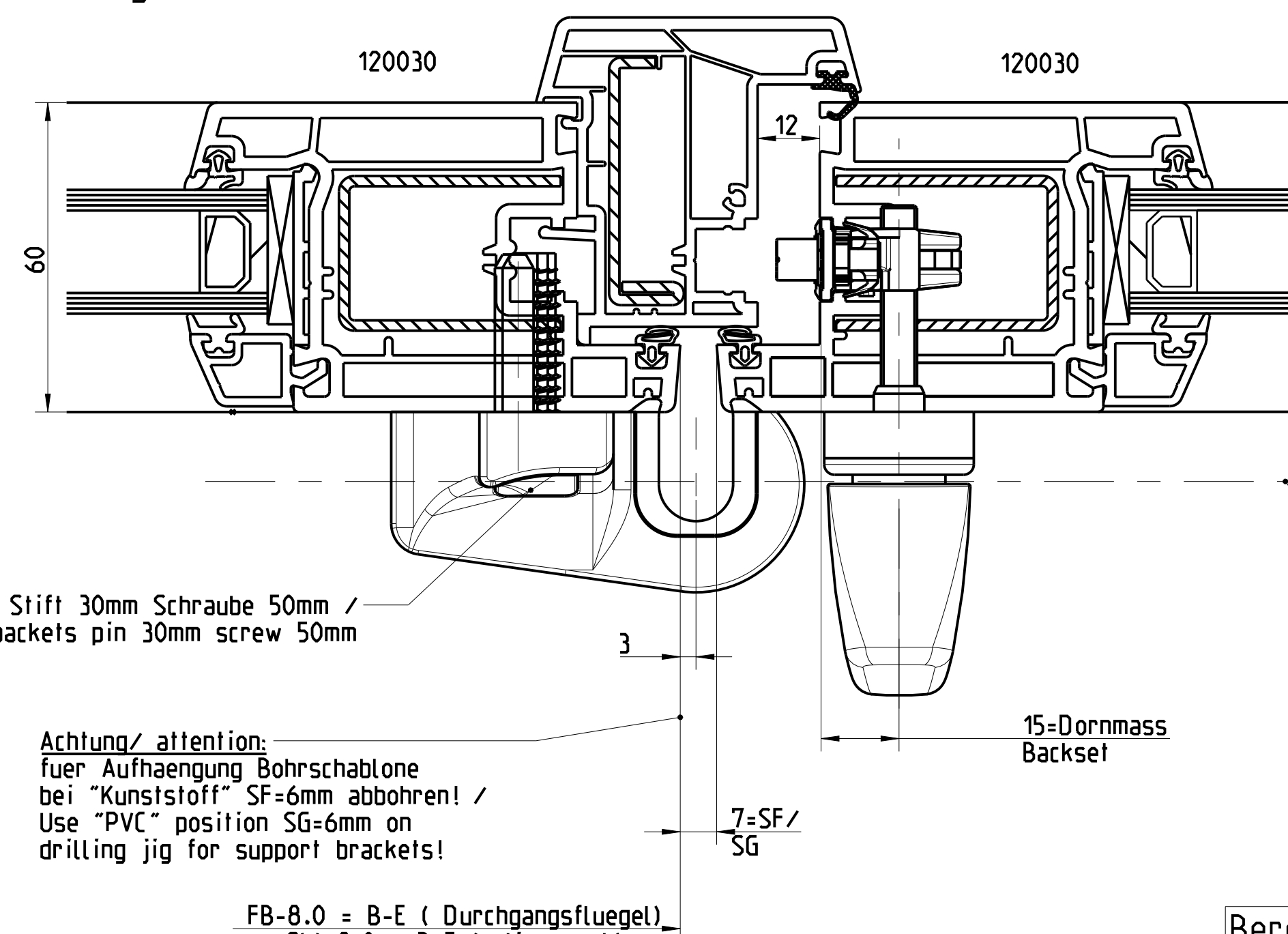


Ausführung untenlaufend
Bottom running version

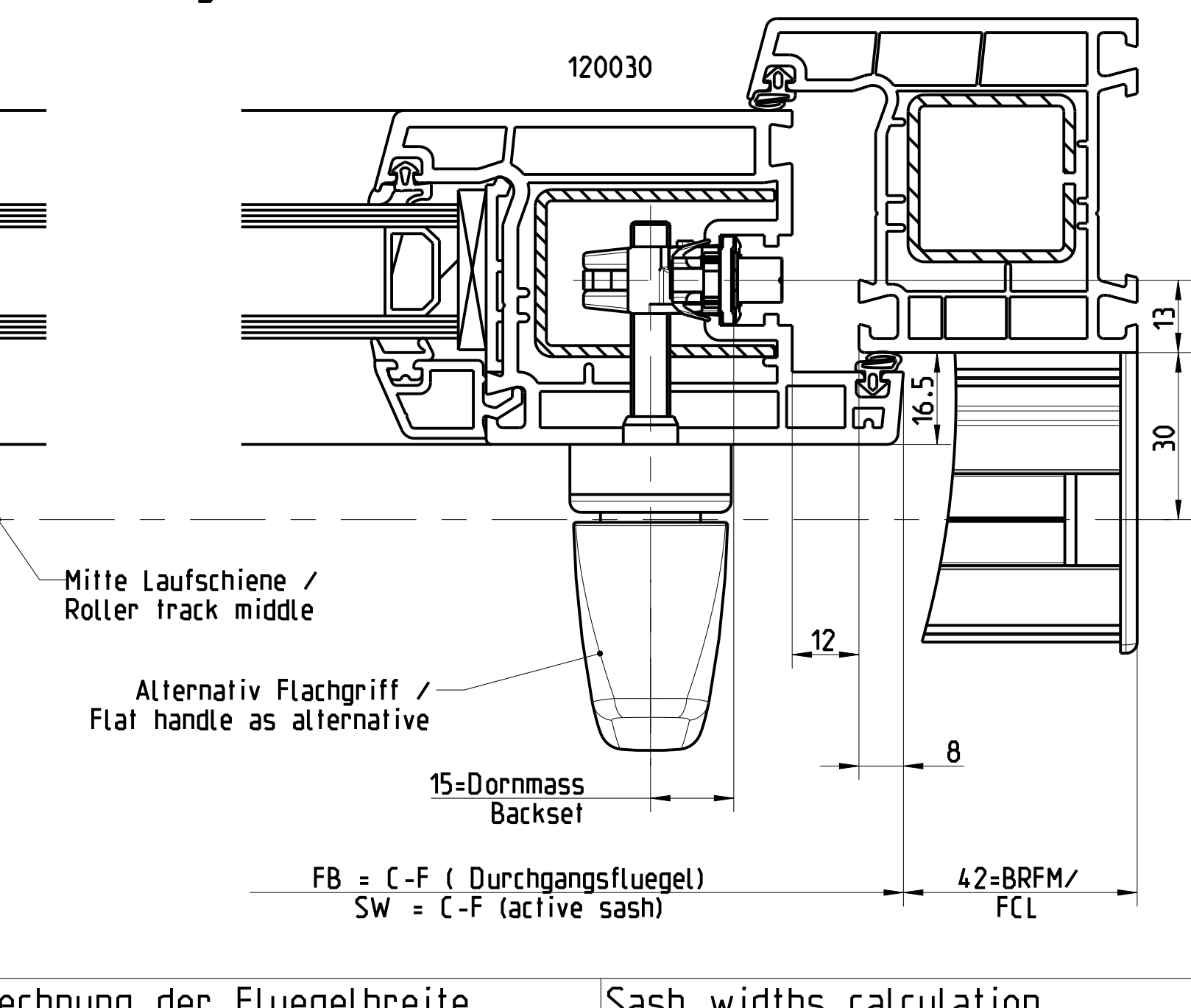
Ausführung obenlaufend
Top running version



Schema Diagram 321. 532. 541



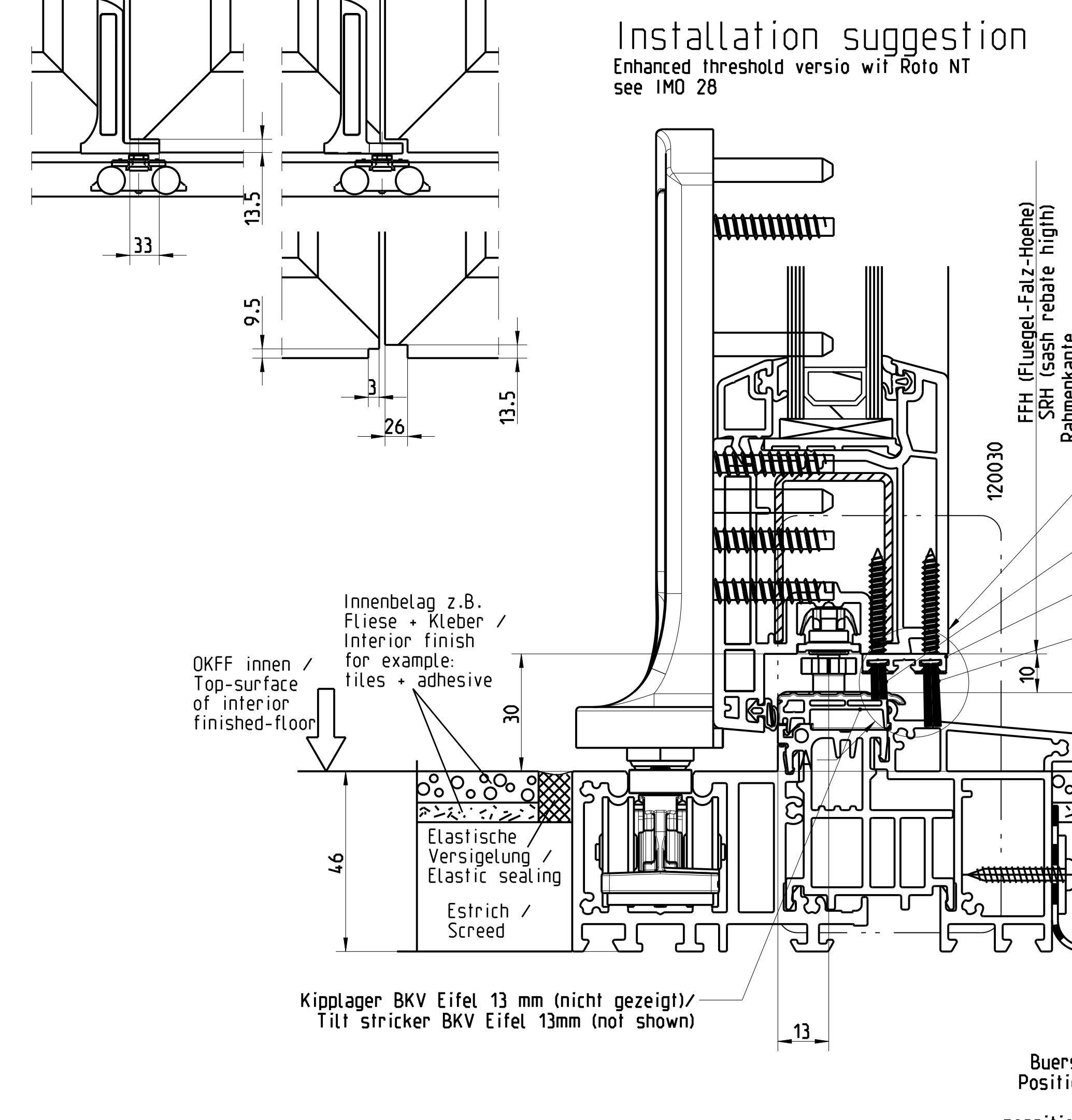
Schema Diagram 330. 550



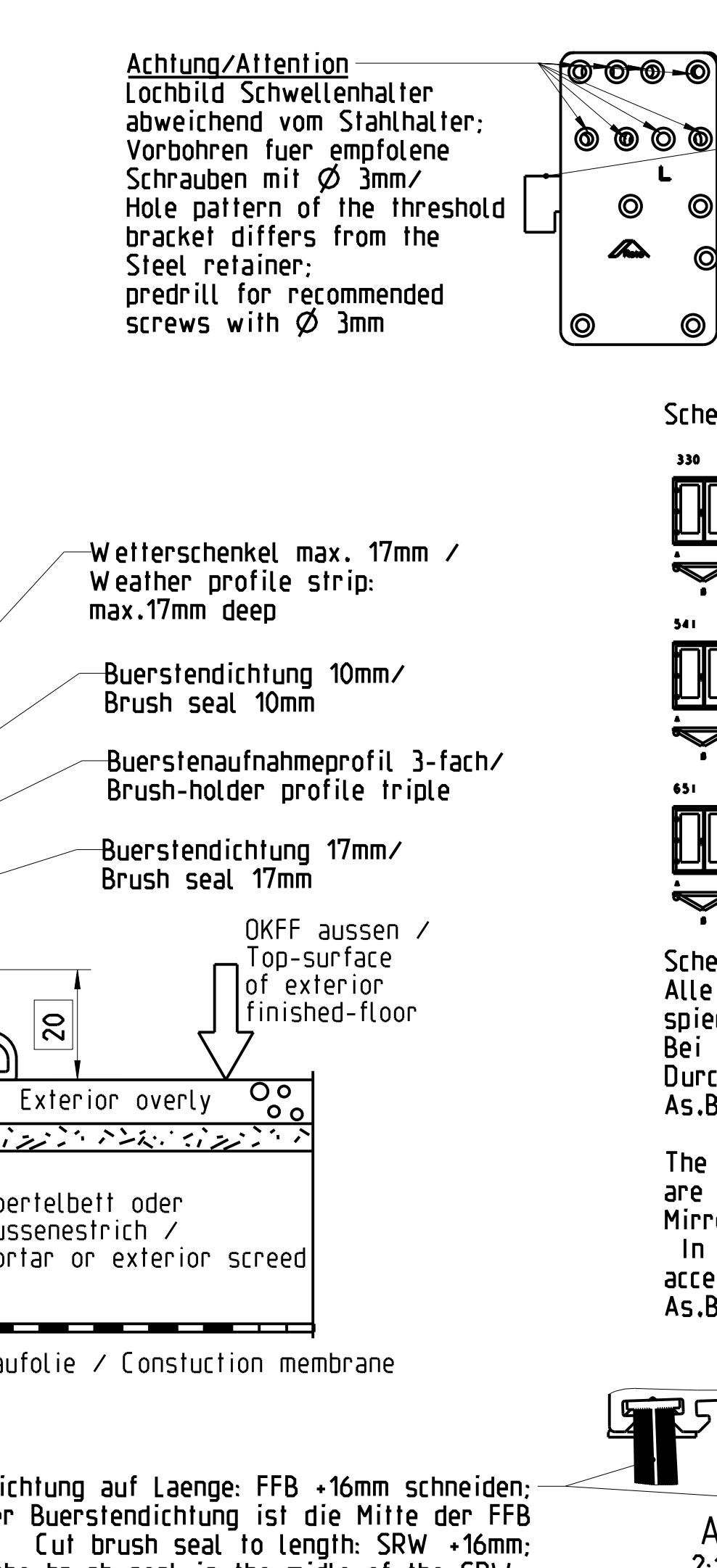
Achtung / Important:
Zeichnungsvorschlag, zur Abstimmung mit dem Profilersteller
Um die Richtigkeit der Angaben zu ueberpruefen,
ist ein Musteranschlag erforderlich ! /

**Drawing proposal for coordination with the profile manufacturer
To check the correctness of the information contained in this
drawing, a sample window must be built !**

Montagevorschlag
Ausfuhrung Komfortbodenschwelle (KBS)
mit Roto-NT siehe IMO 28



Installation suggestion
Enhanced threshold version wif Roto NT
see IMO 28



Berechnung der Fluegelbreite

| Schema / Diagram | FBx = (BRM - 2xBRFM + 28) / 3 | Diagram 330 SWx = (FOD - 2xFCL + 28) / 3 |
|------------------|-------------------------------|--|
| Schema 321 | FBx = (BRM - 2xBRFM + 28) / 3 | Diagram 330 SWx = (FOD - 2xFCL + 28) / 3 |
| Schema 431 | FBx = (BRM - 2xBRFM + 28) / 3 | Diagram 431 SWx = (FOD - 2xFCL + 28) / 3 |
| Schema 541 | FBx = (BRM - 2xBRFM + 43) / 5 | Diagram 541 SWx = (FOD - 2xFCL + 43) / 5 |
| Schema 550 | FBx = (BRM - 2xBRFM + 56) / 5 | Diagram 550 SWx = (FOD - 2xFCL + 56) / 5 |
| Schema 532 | FBx = (BRM - 2xBRFM + 43) / 5 | Diagram 532 SWx = (FOD - 2xFCL + 43) / 5 |
| Schema 651 | FBx = (BRM - 2xBRFM + 49) / 6 | Diagram 651 SWx = (FOD - 2xFCL + 49) / 6 |
| Schema 633 | FBx = (BRM - 2xBRFM + 49) / 6 | Diagram 633 SWx = (FOD - 2xFCL + 49) / 6 |

Berechnung der Sash widths calculation

| Schema / Diagram | FBx = (BRM - 2xBRFM + 28) / 3 | Diagram 330 SWx = (FOD - 2xFCL + 28) / 3 |
|------------------|-------------------------------|--|
| Schema 321 | FBx = (BRM - 2xBRFM + 28) / 3 | Diagram 330 SWx = (FOD - 2xFCL + 28) / 3 |
| Schema 431 | FBx = (BRM - 2xBRFM + 28) / 3 | Diagram 431 SWx = (FOD - 2xFCL + 28) / 3 |
| Schema 541 | FBx = (BRM - 2xBRFM + 43) / 5 | Diagram 541 SWx = (FOD - 2xFCL + 43) / 5 |
| Schema 550 | FBx = (BRM - 2xBRFM + 56) / 5 | Diagram 550 SWx = (FOD - 2xFCL + 56) / 5 |
| Schema 532 | FBx = (BRM - 2xBRFM + 43) / 5 | Diagram 532 SWx = (FOD - 2xFCL + 43) / 5 |
| Schema 651 | FBx = (BRM - 2xBRFM + 49) / 6 | Diagram 651 SWx = (FOD - 2xFCL + 49) / 6 |
| Schema 633 | FBx = (BRM - 2xBRFM + 49) / 6 | Diagram 633 SWx = (FOD - 2xFCL + 49) / 6 |

Formel / Formula

| Formel / Formula | Diagram 330 SWx = (FOD - 2xFCL + 28) / 3 |
|---------------------|--|
| A - B | Diagram 330 SWx = (FOD - 2xFCL + 28) / 3 |
| Bs - As | Diagram 330 SWx = (FOD - 2xFCL + 28) / 3 |
| D - F | Diagram 330 SWx = (FOD - 2xFCL + 28) / 3 |
| C - F | Diagram 330 SWx = (FOD - 2xFCL + 28) / 3 |
| D - Cs | Diagram 330 SWx = (FOD - 2xFCL + 28) / 3 |
| C - Es | Diagram 330 SWx = (FOD - 2xFCL + 28) / 3 |
| C - B | Diagram 330 SWx = (FOD - 2xFCL + 28) / 3 |
| C - D* | Diagram 330 SWx = (FOD - 2xFCL + 28) / 3 |
| Cs - Bs | Diagram 330 SWx = (FOD - 2xFCL + 28) / 3 |
| Formel: FB= FBx | Diagram 330 SWx = (FOD - 2xFCL + 28) / 3 |
| B - E* | Diagram 330 SWx = (FOD - 2xFCL + 28) / 3 |
| Es - Bs* | Diagram 330 SWx = (FOD - 2xFCL + 28) / 3 |
| Formel: FB= FBx-8.0 | Diagram 330 SWx = (FOD - 2xFCL + 28) / 3 |

Faltfluegel / Folding sash

- BRFM = 42 mm (Blendrahmenfreimass)
- UB = 20 mm (Ueberschlagbreite)
- UH = 16.5 mm (Ueberschlaghoehe)
- SF = 6 mm (Schattenfuge)
- SF = 7 mm (bei Schnitt D bzw.E)

Faltfluegel / Folding sash

- FCL = 42 mm (Frame clearance)
- OW = 20 mm (Overlap width)
- OH = 16.5 mm (Overlap height)
- SG = 6 mm (Shadow gap)
- SG = 7 mm (at section D and E)

Achtung / Important:

fuer Laufwerke die Bohrmaschine bei E auf "Kunststoff" abbohren!
for the bogie support-brackets use the drilling jig as follows at E in the "limber" drilling position!

Allgemein / General:

Wegen der besseren Lastabtragung ist die Ausfuhrung "untenlaufend" zu favorisieren.
Because of better load distribution the "bottom-running" version is favoured.

Bei der Montage der Fall-Anlage ist auf eine sorgfaeltige Verankerung des Blendrahmens zum Mauerwerk zu achten, um moeglichen Durchbiegungen vorzubeugen. Die untere Laufschiene ist sofort nach der Montage auf ganzer Laenge zu unterfuettern.
Upon installing a folding system, special attention must be paid to the fixing of the frame to the masonry brickwork in order to prevent possible bending. Underlay the entire length of the bottom roller track immediately after installation.

Fehlende Angaben siehe Einbauleitung IMO 28 Aenderungen vorbehalten.
For additional information please see installation instructions IMO 28 Subject to modifications and amendments!

20% / 20% Texte erneuert / Texte renewed
3 Sauggeraetebaugemaessigkeiten / 3 Sauggeraetebaugemaessigkeiten
Prof. Dipl.-Ing. Alois Fiedler
Roto-Frank AG
S14A255-000
1/1
22.09.2014